

# CV/SV Matrix Switcher

Model Number : SB-5450

## CONFORMANCE TEST REPORT

FOR **EN 55013 / EN 55020**

CE Report Number : ET93S-09-213-01

FOR **FCC 47 CFR / Part 15 Subpart B**

FC Report Number : ET93S-09-213-02

FOR **VCCI**

VCCI Report Number : ET93S-09-213-03

Model Number : SB-5470

Comment Number : SB-5460, **SB-5450**, SB-5440, SB-5430  
SB-3682, SB-3681, SB-3680

CopyRight 2005 Shinybow Technology Co., Ltd.

### Note : 1 -----

The switcher output is Composite Video If you input Composite Video source.  
And is Output S-Video Signals If you input S-Video Video device source too.

### Note : 2 -----

The Switcher will work with most Video sources as the Composite Video &  
S-Video /Audio Video devices, And the DC power input available DC12V,  
@500mA Adaptor.

**Input :** Audio/Video system (Composite or S-Video)  
Stereo Audio system (R/L)

**Output :** Audio/Video system (Composite Video or S-Video)  
Stereo Audio system (R/L)

**Power Input :** DC +12V , @ 500mA. ⓅⓆⓇ

### Safety Notice!

To prevent damage to your television equipment use only the supplied  
AC Adaptor and make the power connections to your television.

## Instruction Manual

# SHINYBOW™

## Composite Video/S-Video Switcher

# Matrix Switcher

### 4 inputs > 2 outputs



Model : SB-5450

## Composite Video/ S-Video Switcher Series

Thank you for purchasing the SB-5450 Composite Video / S-Video Matrix Switcher. You will find this unit easy to install and highly reliable but it is essential that you read this manual thoroughly before attempting to use converter.

## Introduction

Congratulations on your purchase of one of the most innovative Video/Audio switching products on the market today. The SB-5450 for Composite Video / S-Video / Stereo Audio. This is a fully Matrix Switcher and with a IR Remote Controller. Each has 4 individual Composite Video or S-Video(Y/C)/Stereo Audio (R/L) inputs with 2 identical Composite/S-Video/Audio outputs and useful for routing signals from Composite/S-Video/Audio Source devices (such as: VCRs, Camcorders, Video Game Consoles, Video Cds, DVDs, Satellite Receivers, CATV Set Top Boxes, etc.) To Composite/S-Video/Audio destination devices(such as :VCRs, DVD-Rs, TV Sets, Video Projectors, etc.)

## Before you make any connections

Make sure all Video devices to be connected to the CV/SV Matrix Switcher are functioning according to their respective operation manuals before connecting them. Always connect the Video/Audio devices to the CV/SV Matrix Switcher one at a time and make sure each works just as it did before it was connected.

## Features of the CV/SV Matrix Switcher

This device can be operated in two modes: IR Remote control or Manual. In the selected by pushing the IR key/Manual button on the front panel to the Video sources position. So, if you have four devices hooked up to the four inputs and only one has its power turned on, that device will be switched to the output by IR Remote control. Or When in the Manual mode, selected by pushing the two Video select Manual buttons on the front panel, selection of input AV 1, AV2, AV3 or Av4 to be routed to the AV output in done by repeatedly pressing the Input Channel button to toggle through the inputs.

## Supplied Accessories

Check that you have the following components in your converter pack ;

- (1) 1 Instruction Manual
- (2) 1 SB-5450 switcher
- (3) 1 Three-way RCA-to-RCA AV Cable, Set coloured red. White and yellow
- (4) 1 S-Video Cable (mini-din 4pin plug)
- (5) 1 AC Adaptor : 12VDC, @ 500mA
- (6) 1 IR Remote Controller

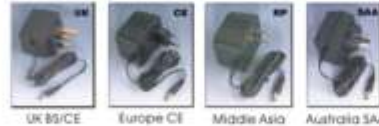
S-Video Connecting Cable :  
S-S socket, L=2M



AV connecting Cable :  
3RCA x 3RCA, L= 2M



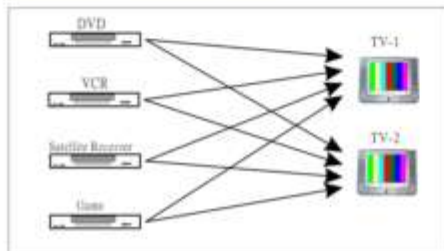
AC/DC Adaptor : CE/UL/SAA/BS



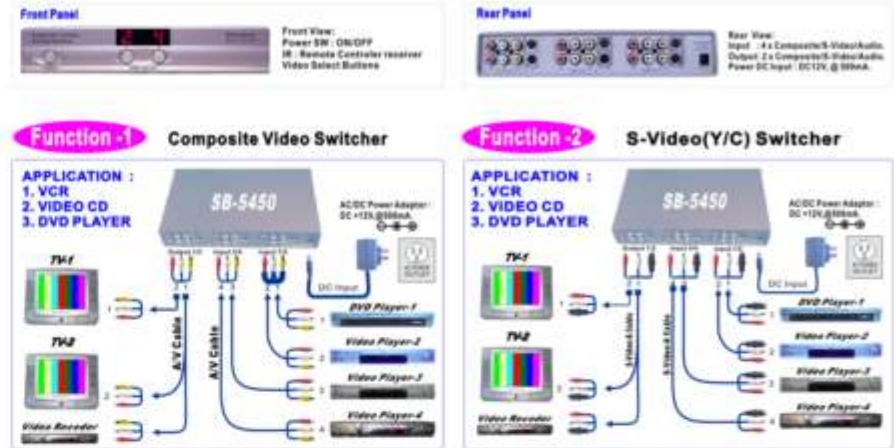
IR Remote Controller



4x2 VIDEO MATRIX SWITCHER



## Typical Hookup and Operation



## Specifications

SB-5450		
<b>Control Method</b>	Front Panel Switches and IR Remote Control	
<b>Video Inputs</b>	4x Composite Video, 75Ω on RCA Connectors	4x S-Video (Y/C), 75Ω on 4-Pin Mini-DIN Connectors
<b>Audio Inputs</b>	4x Stereo R/L, 40KΩ on RCA Connector	4x Stereo R/L, 40KΩ on RCA Conn.
<b>Video Outputs</b>	2x Composite Video, 75Ω on RCA Connectors	2x S-Video (Y/C), 75Ω on 4-Pin Mini-DIN Connectors
<b>Audio Outputs</b>	2x Stereo R/L, 400Ω on RCA Connector	2x Stereo R/L, 400Ω on RCA Conn.
<b>Video Bandwidth</b>	>100MHz	>100MHz
<b>Video Distortion</b>	<1.2db (Standard +/- 3db)	<1.2db (Standard +/- 3db)
<b>Audio Input impedance</b>	10K Ohms	10K Ohms
<b>Channel Isolation</b>	>50db	>50db
<b>S/N Ratio</b>	>50db	>50db
<b>Power Consumed</b>	500mA Maximum @300mA	500mA Maximum @300mA
<b>Power Source</b>	12 Volts DC	12 Volts DC

## Safeguards and Precautions

- A. Keep this unit away from fire, extremely hot areas, water or moisture of any Kind.
- B. Do not place this unit on any support that is not firm, level and strong.
- C. Do not service the unit yourself. Opening the unit's housing will void the warranty.
- D. Servicing must be by Shinybow or by an authorized technician.
- C. Illegal duplication of copyrighted material is strictly prohibited by Federal Laws.

**Congratulations! The switcher is now ready for use.  
Switch on your player and TV and enjoy high quality colour.**