

PRT600

Tilt wall bracket for 28" to 50" LCD/Plasma screens

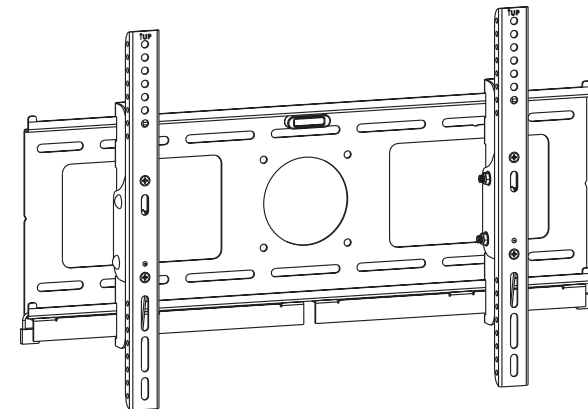
129.324UK



PRT600

Tilt wall bracket for 28" to 50" LCD/Plasma screens

129.324UK



Warning

This product contains small items that could be a choking hazard if swallowed. Keep these items away from young children !

1. Make sure these instructions are read and completely understood before attempting installation. If you are unsure of any part of this installation, contact a professional installer for assistance.
2. The wall or mounting surface must be capable of supporting the combined weight of the mount and the display; otherwise the structure must be reinforced
3. Safety gear and proper tools must be used. A minimum of two people are required for this installation. Failure to use safety gear can result in property damage, serious injury or death.

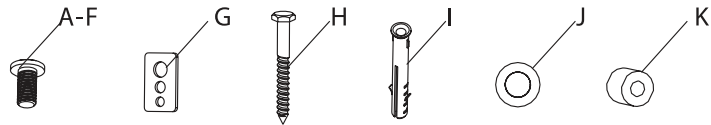
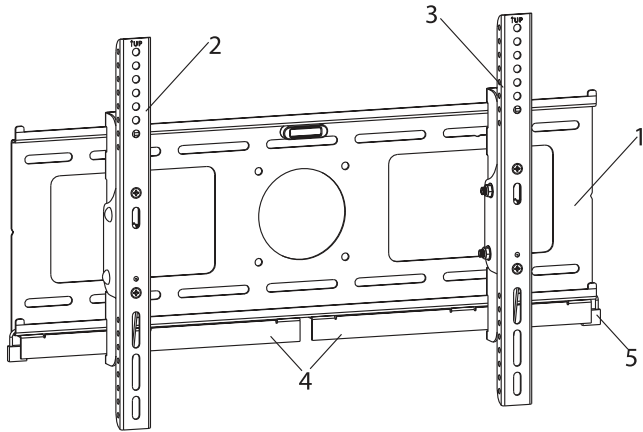
- TV Size Range: 28"~50"
- Maximum Weight Capacity: 50kg/110lbs
- Adjustable angle: - 5°~ 15°
- Locking by locking bar and padlock
- Balance adjust system is included

CAUTION

This product was designed to be installed on wood stud walls and solid concrete walls. Before installing make sure the supporting surface will support the combined load of the equipment and hardware. Never exceed the Maximum Load Capacity. This product is intended for indoor use only. Use of this product outdoors could lead to product failure or personal injury.

PRT600Tilt wall bracket for 28" to 50" LCD/Plasma screens
129.324UK**PRT600**Tilt wall bracket for 28" to 50" LCD/Plasma screens
129.324UK

Hardware Kit:



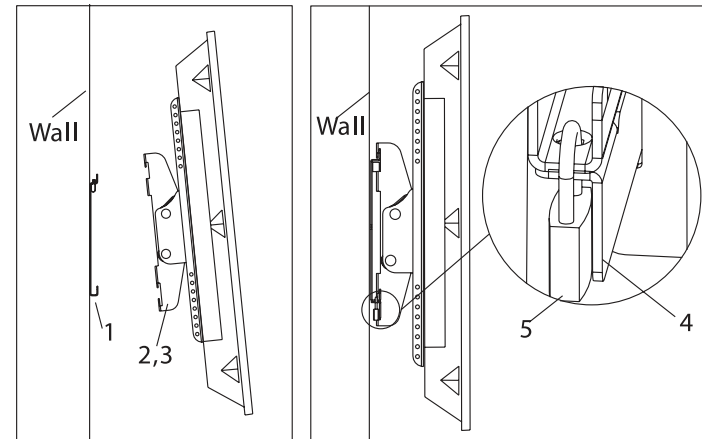
ID	Qty	Description
1	1	Wall plate
2	1	Left bracket
3	1	Right bracket
4	2	Locking bar
5	2	Padlock
A	4	M4×12 mm bolt
B	4	M4×16 mm bolt
C	4	M5×16mm bolt

ID	Qty	Description
D	4	M6×16mm bolt
E	4	M5×36mm bolt
F	4	M6×36mm bolt
G	4	Square washer
H	6	Long bolt
I	6	Wall anchor
J	6	Long bolt washer
K	4	Spacer
L	4	M8x36 mm bolt

Part 3-Mounting the flat panel screen and installing locking bar

Hook the top of brackets (2,3) onto the top flange of wall plate(1). Then swing the screen down. Slide locking bars(4) between brackets and the bottom edge of wall plate(1). Secure with padlocks(5).

NOTE: Always use an assistant or mechanical lifting equipment to safely lift and position heavy equipment.



PRT600

Tilt wall bracket for 28" to 50" LCD/Plasma screens
129.324UK

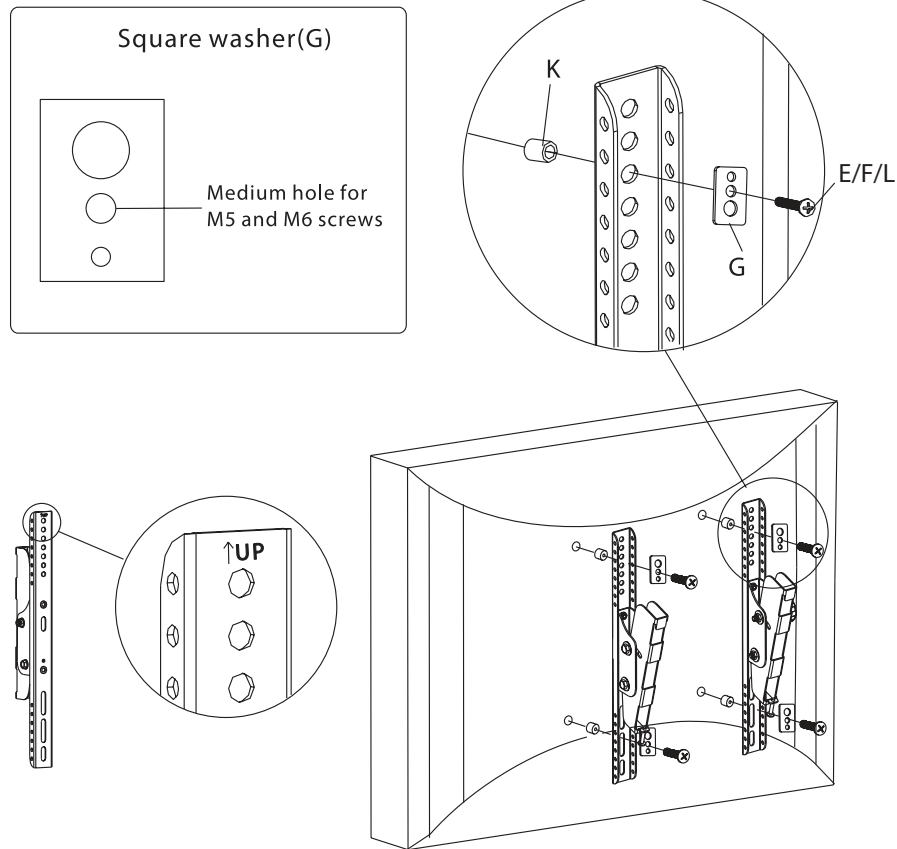
**PRT600**

Tilt wall bracket for 28" to 50" LCD/Plasma screens
129.324UK



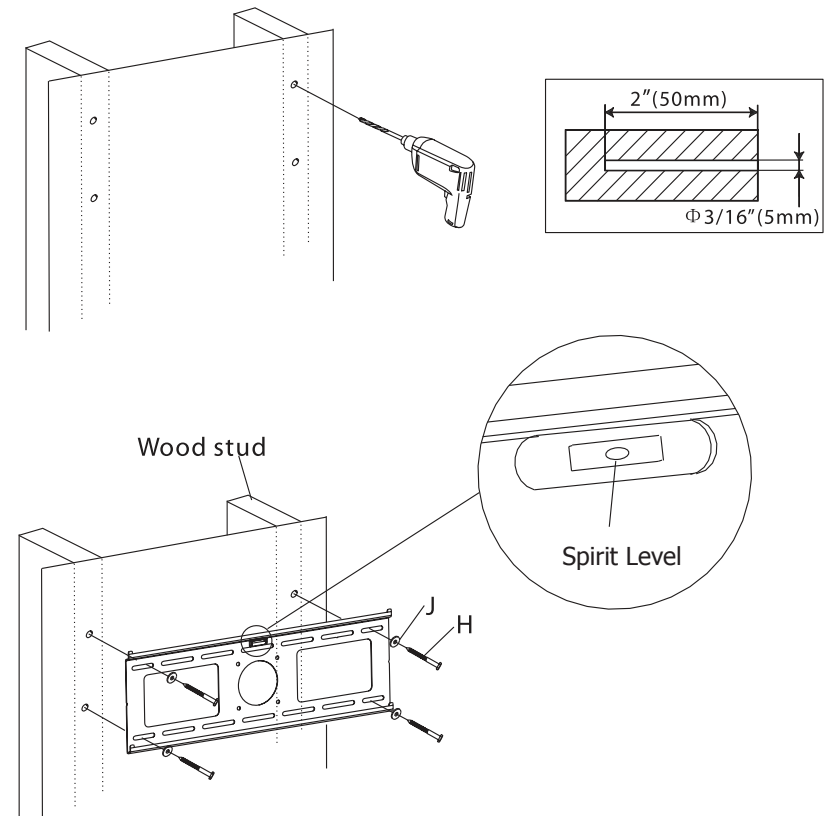
Part 2b-Attaching brackets to screen with recessed back

Center brackets vertically on back of screen. Select the medium(E or F) screws. Attach brackets to screen using four selected screws, four square washers(G) and four spacers(K) at the top and bottom of each bracket. Tighten screws firmly. Do not overtighten.



Part 1a-Wood Stud Mounting

Use wall plate(1) as a template, make sure it is level, and mark four mounting holes along the center lines of the wood studs. Drill four 3/16" (5mm) diameter holes 2" (50mm) deep. Level wall plate(1) and attach to wall with four long bolts(H) and four washers(J). Tighten screws firmly. Do not overtighten.



PRT600

Tilt wall bracket for 28" to 50" LCD/Plasma screens

129.321UK

**PRT600**

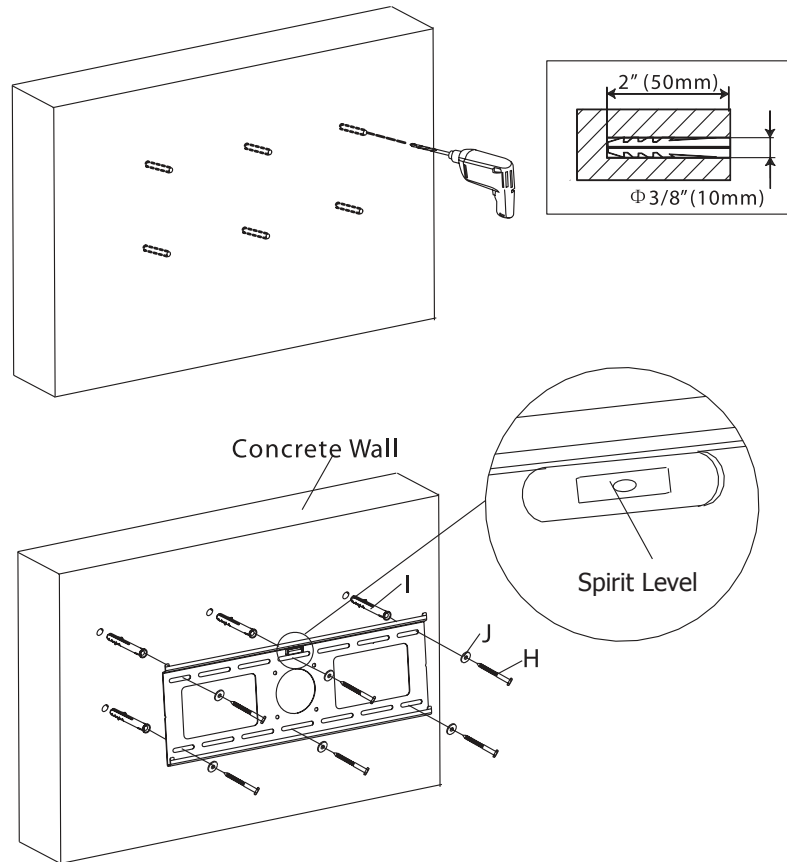
Tilt wall bracket for 28" to 50" LCD/Plasma screens

129.324UK



Part 1b-Concrete Wall Mounting

Level wall plate(1) and use wall as a template to mark four holes. Drill four 3/8" (10mm) dia. holes 2" (50mm) deep. Insert four anchors(I) into holes and secure wall plate with four long bolts(H) and four washers(J). Tighten screws firmly. Do not overtighten.



Part 2a-Attaching Brackets To Screen With Flat Back

Center brackets vertically on back of screen. Select the small(A or B) or medium(Cor D). Attach brackets to screen using four selected screws and four square washers(G) at the top and bottom of each bracket. Tighten screws firmly. Do not overtighten.

