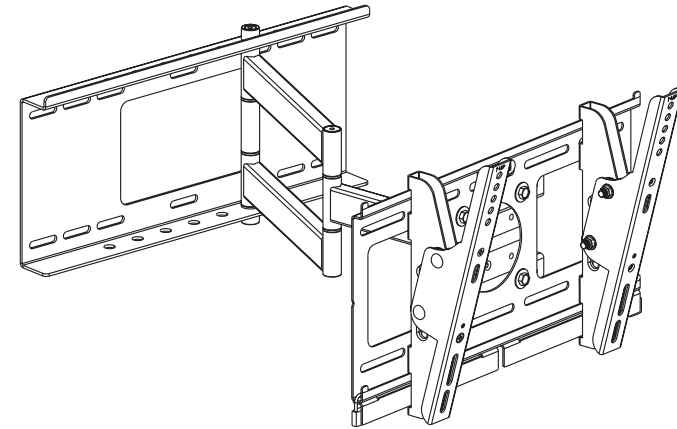
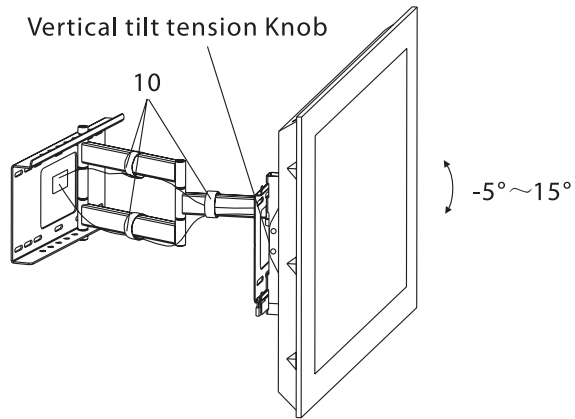


Part 4-Adjusting screen and using cord management

Route cords along articulating arms using cord management wraps(10).  
 Articulating arms can be adjusted to position screen into desired location.  
 Use allen wrench(7/8/9) to tighten and loosen the tension screw. Do not overtighten and do not loosen to the point the screws come out.



- TV Size Range:23" ~42"
- Maximum Weight Capacity: 40 kg /88lbs
- Integrated Cable management
- Display Adjustments: Vertical Tilt, Swivel, ±45° Pan ,

Stowing the Screen

**Warning**

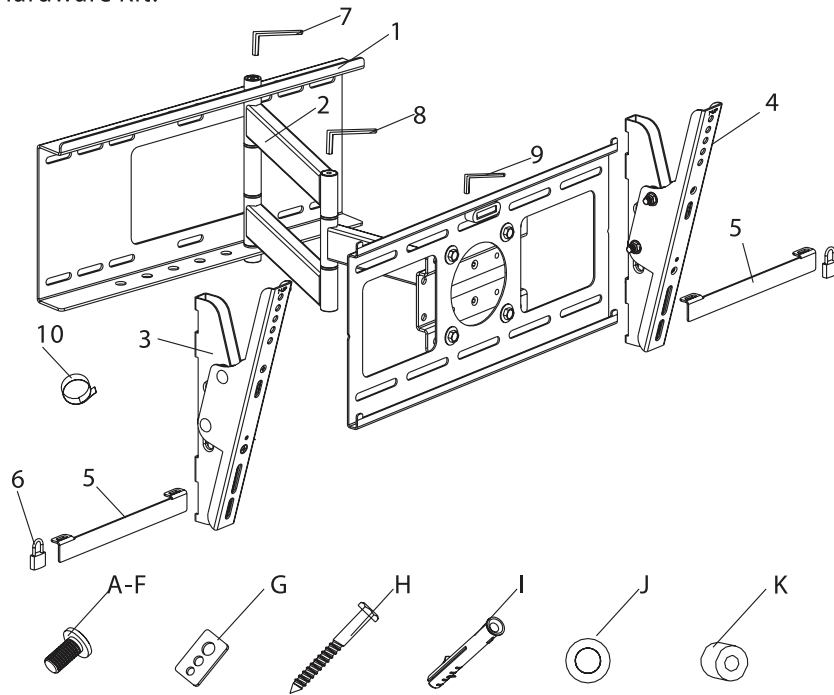
This product contains small items that could be a choking hazard if swallowed. Keep these items away from young children !

- 1.Make sure these instructions are read and completely understood before attempting installation. If you are unsure of any part of this installation, contact a professional installer for assistance.
- 2.The wall or mounting surface must be capable of supporting the combined weight of the mount and the display; otherwise the structure must be reinforced
- 3.Safety gear and proper tools must be used. A minimum of two people are required for this installation. Failure to use safety gear can result in property damage, serious injury or death.

**CAUTION**

This product was designed to be installed on wood stud walls and solid concrete walls. Before installing make sure the supporting surface will support the combined load of the equipment and hardware. Never exceed the Maximum Load Capacity. This product is intended for indoor use only. Use of this product outdoors could lead to product failure or personal injury.

Hardware Kit:



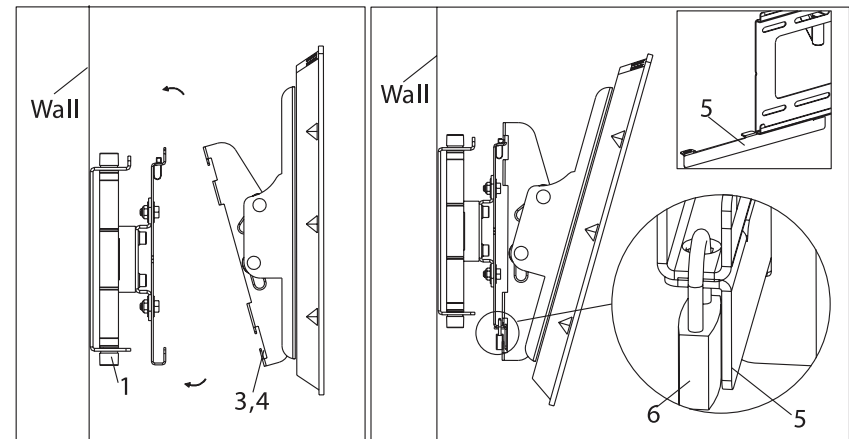
ID	Qty	Description
1	1	Wall Plate
2	1	Cantilever arm
3	1	Left bracket
4	1	Right bracket
5	2	Locking Bar
6	2	Padlock
7	1	6x6 Wrench
8	1	5x5 Wrench
9	1	4x4 Wrench
10	3	Cord management wrap

ID	Qty	Description
A	4	M4x12 mmbolt
B	4	M4x16 mmbolt
C	4	M5x 16mm bolt
D	4	M6x16mm bolt
E	4	M5x36mm bolt
F	4	M6x36mm bolt
G	4	Square washer
H	6	Long bolt
I	6	Wall anchor
J	6	Long bolt washer
K	4	Spacer

Part 3-Mounting the flat panel screen and installing locking bar

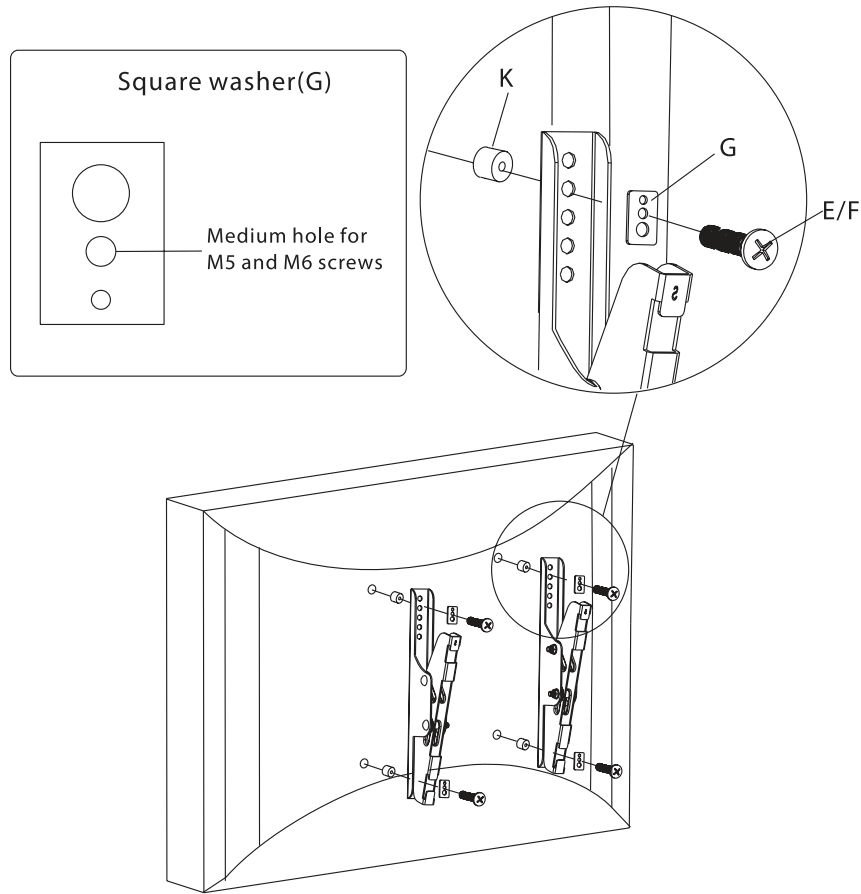
Hook the top of brackets onto the top flange of wall plate(1). Then swing the screen down. Slide locking bars(5) between brackets and the bottom edge of wall plate(1). Secure with padlocks(6).

NOTE: Always use an assistant or mechanical lifting equipment to safely lift and position heavy equipment.



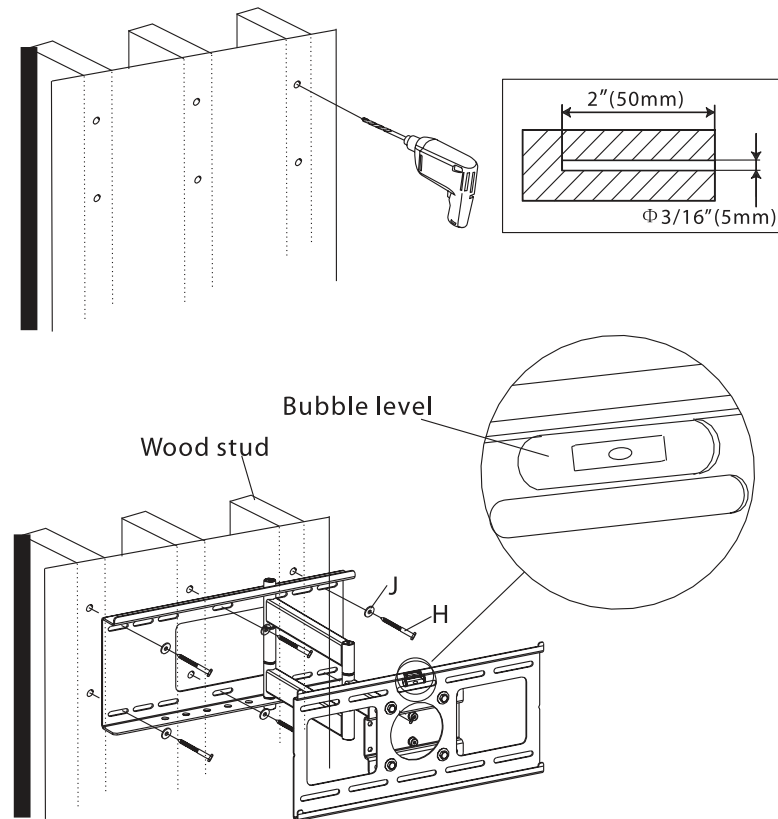
Part 2b-Attaching brackets to screen with recessed back

Center brackets vertically on back of screen. Select the medium(E or F) screws. Attach brackets to screen using four selected screws, four square washers(G) and four spacers(K) at the top and bottom of each bracket. Tighten screws firmly. Do not overtighten.



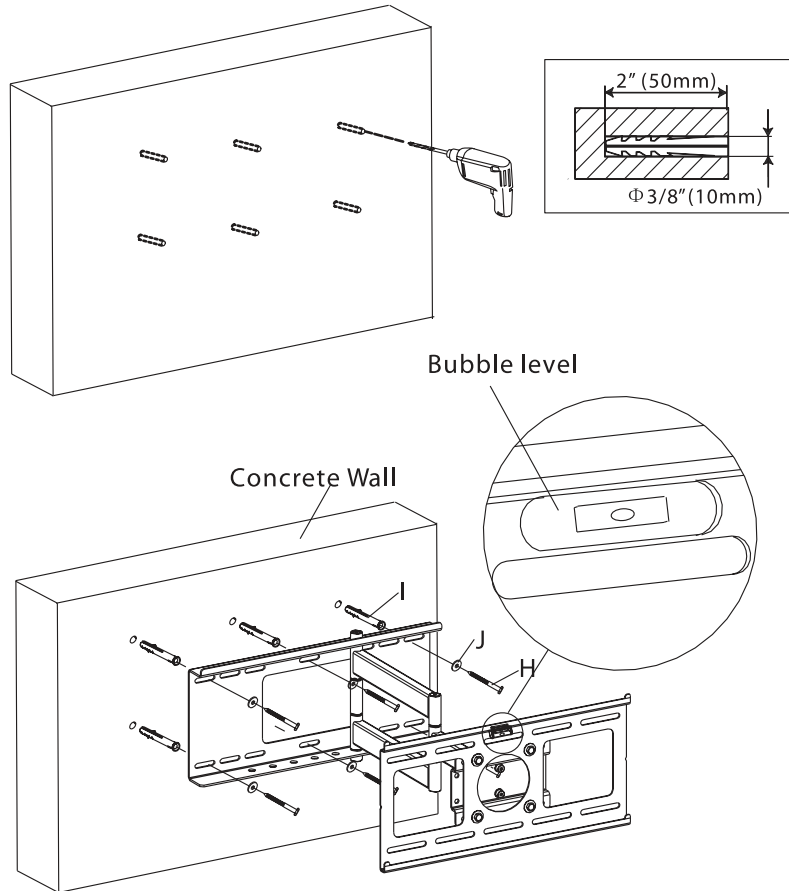
Part 1a-Wood Stud Mounting

Use wall plate(1) as a template, make sure it is level, and mark six mounting holes along the center lines of the wood studs. Drill six 3/16" (5mm) diameter holes 2" (50mm) deep. Level wall plate(1) and attach to wall with six long bolts(H) and six washers(J). Tighten screws firmly. Do not overtighten.



**Part 1b-Concrete Wall Mounting**

Level wall plate(1) and use wall as a template to mark six holes. Drill six 3/8" (10mm) dia. holes 2" (50mm) deep. Insert six anchors(I) into holes and secure wall plate with six long bolts(H) and six washers(J).Tighten screws firmly. Do not overtighten.



**Part 2a-Attaching Brackets To Screen With Flat Back**

Center brackets vertically on back of screen. Select the small(A or B), medium(C or D) screws. Attach brackets to screen using four selected screws and four square washers(G) at the top and bottom of each bracket. Tighten screws firmly. Do not overtighten.

