

## SYNOBARREL

Item ref: 150.453UK

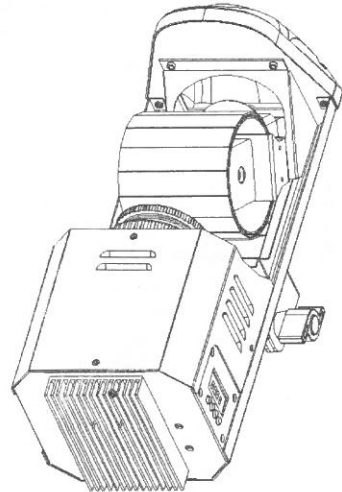
### Mini Barrel Scanner with Gobos

User Manual

Please read through this manual thoroughly before use, any damage caused by misuse of the product will not be covered by the warranty.

A smart, compact moving head using a single powerful 10W white LED. This unit contains 7 gobos and 7 colour wheels and can be operated on auto, sound-to-light or DMX modes. When in DMX mode the built-in program automatically recognises if any additional **SYNOBARREL**, **SYNOHEAD** or **SYNOSCAN** units are connected through DMX. Without the requirement of DMX signal, all units will automatically listen to a dedicated master to produce a synchronised light show.

- Auto, DMX, sound-to-light and master/slave controls
- 1, 8 or 10 channel DMX control
- 7 selectable gobo patterns and 7 solid colours
- Controlled pan and tilt
- Two preset built-in slave programs allow two different light shows to sync with a single master unit
- Auto-compatible with the **SYNOSCAN** (150.455UK) and **SYNOHEAD** (150.454UK) for a synchronised light show
- We recommend that this product is used within the guidelines HSG95



#### Specifications

Power supply 100-240Vac, 50/60Hz  
 Power 35W  
 Fuse rating F3A  
 LED power 10W  
 Beam angle 13°  
 DMX channels 1, 8 or 10

DMX connection XLRM in, XLRF out  
 Gobos 7 patterns & 7 solid colours  
 Dimensions 130 x 190 x 330mm  
 Weight 2.3kg  
 LED safety standard BSEN62471:2008

#### In the box

1 x **SYNOBARREL** unit with bracket, 1 x UK IEC mains lead and 1 x manual.

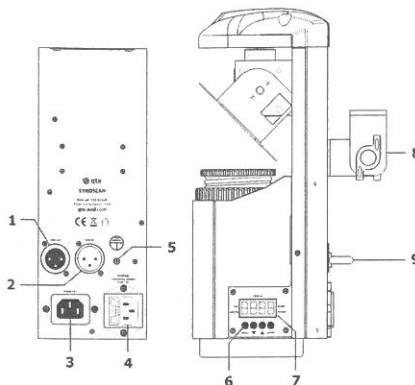


Please do not open the cover, contains high voltage.  
 This product is not serviceable or repairable by the end user.  
 Please refer to qualified personnel for service and repair.



To prevent risk of fire or electric shock, do not expose the unit to rain or damp environments. In the event of a spillage, disconnect the mains and allow the unit to dry out naturally. Qualified personnel should then check the unit before continuing use. Always check the correct voltage and the condition of the IEC lead before connecting to a power outlet.

Always ensure any DMX leads used are in good condition with no short connections or damaged plugs.



1. DMX signal out
2. DMX signal in
3. IEC mains out
4. IEC mains in
5. Earth Screw (do not undo)

6. 4 buttons control
7. LED Display
8. Fixing Bracket
9. Safety Wire fixing point

### Manual control menu

Press the "menu" button to enter the setting menu.

Press "up" and "down" to navigate through the various setting options.

Press "enter" to enter the desired setting.

Choose set value by "up" and "down" buttons and confirm setting by again pressing "enter".

Display	Mode	Press ENTER for setting
Addr	DMX address	A001 to A512
ChNd	DMX channel mode	1CH, 8CH, 10CH
SLNd	Slave mode	NAST= master, SL1= slave 1, SL2= slave 2
ShNd	Auto mode	Sh0 to Sh16
SPLC	Colour mode	yes = Half Colour, no = Full Colour
SoUn	Sound activation	on= sound to light on, off= sound to light off
SEnS	Microphone sensitivity	Sensitivity Adjustment(0-100% gain)
bLNd	Blackout	no = blackout on yes = blackout mode off
Led	LED display	oFF = display off after 20s on = constant display
dISP	LED display inverted	dISP / dSIP(normal or inverted display)
PAn	Pan reverse direction setting	no = normal pan direction, yes= reversed pan direction
tITt	Tilt reverse direction setting	no = normal tilt direction, yes= reversed tilt direction

<b>teSt</b>	Fixture test sequence	Fixture steps through all functions – press MENU to exit
<b>hour</b>	Fixture hours	Displays how many hours of use for the fixture
<b>uEr</b>	Program version	Display internal program version
<b>rSet</b>	Reset	Press enter to reset unit

### Stand-alone mode

Choose whether sound-to-light is required by selecting **SoUn** or **ShNd**. Then select one of the sixteen pre-programmed modes.

### Master/slave mode

More than one **SYNOBARREL**, **SYNOHEAD** **SYNOSCAN** can be sync together to listen to one master for synchronised light show. The smart program allows the **SYNOBARREL**, **SYNOHEAD** and **SYNOSCAN** to recognise each other as soon as they are connecting together via DMX lead. Any unit can be set as master at any time and all the rest of the units will automatically change to slave. There are two slave settings (slave1 and slave2), which are 2 independent pre-programmed light shows to sync to the same master. Reverse pan and tilt need to be adjusted accordingly if you want certain units to mirror rather than match.

### DMX mode

The **SYNOBARREL** can be control by DMX signal, simply connect the DMX signal source to the DMX in of the unit via a balanced XLR lead. Extra fixtures can be controlled by the same DMX signal by looping through the DMX out on the **SYNOBARREL**. Ensure the correct DMX start address is set from the **Addr** option on the manual control.

1 channel mode:

Channel	DMX Value	Function
Channel 1 sound-to-light active from 008-255	000-007	Black out
	008-037	Show mode 1
	038-067	Show mode 2
	068-097	Show mode 3
	098-127	Show mode 4
	128-157	Show mode 5
	158-187	Show mode 6
	188-217	Show mode 7
	218-247	Show mode 8
248-255	Random Show 1-8	

### DMX channel value reference (Choose A001 default address code)

8 channel mode:

Channel	DMX Value	Function
Channel 1	000-255	Pan position
Channel 2	000-255	Tilt position
Channel 3	000-015	Gobo colour white
	016-031	Gobo colour red
	032-047	Gobo colour amber
	048-063	Gobo colour yellow
	064-079	Gobo colour green
	080-095	Gobo colour blue
	096-111	Gobo colour cyan
	112-127	Gobo colour pink
	128-255	Continues colour change, slow to fast
Channel 4	000-007, 064-071	OPEN and OPEN shaking
	008-015, 072-079	GOBO 1 and GOBO 1 shaking
	016-023, 080-087	GOBO 2 and GOBO 2 shaking
	024-031, 088-095	GOBO 3 and GOBO 3 shaking
	032-039, 096-103	GOBO 4 and GOBO 4 shaking
	040-047, 104-111	GOBO 5 and GOBO 5 shaking
	048-055, 112-119	GOBO 6 and GOBO 6 shaking
	056-063, 120-127	GOBO 7 and GOBO 7 shaking
	128-255	Continues GOBO change, slow to fast
Channel 5	000-007	Black out
	008-015	On
	016-131	Strobe, slow to fast
	132-139	On
	140-181	Slow fade out, fast on, speed increase with DMX value
	182-189	On
	190-231	fast off, slow fade in, speed increase with DMX value
	232-239	On
240-247	Random Strobe	
248-255	On	
Channel 6	000-255	LED dimmer 0-100%
Channel 7	000-255	Motor speed, fast to slow
Channel 8	000-069	No Function
	070-079	Fast black out, fast open when Pan moves
	080-089	Disable black out when Pan moves
	090-119	Fast black out, fast open, gobo change when pan move
	120-129	Gobo change when Pan stops
	130-199	No Function

	200-209	Reset
	210-239	No Function
	240-255	Sound Activation

#### 10 channel mode

Channel	DMX Value	Function
Channel 1	000-255	Pan position
Channel 2	000-255	Fine pan adjustment
Channel 3	000-255	Tilt position
Channel 4	000-255	No Function
Channel 5	000-015	Gobo colour white
	016-031	Gobo colour red
	032-047	Gobo colour amber
	048-063	Gobo colour yellow
	064-079	Gobo colour green
	080-095	Gobo colour blue
	096-111	Gobo colour cyan
	112-128	Gobo colour pink
	129-255	Continues colour change, slow to fast
Channel 6	000-007, 064-071	Open and Open shaking
	008-015, 072-079	GOBO 1 and GOBO 1 shaking
	016-023, 080-087	GOBO 2 and GOBO 2 shaking
	024-031, 088-095	GOBO 3 and GOBO 3 shaking
	032-039, 096-103	GOBO 4 and GOBO 4 shaking
	040-047, 104-111	GOBO 5 and GOBO 5 shaking
	048-055, 112-119	GOBO 6 and GOBO 6 shaking
	056-063, 120-127	GOBO 7 and GOBO 7 shaking
	128-255	Continues GOBO change, slow to fast
Channel 7	000-007	Black out
	008-015	Open
	016-131	Strobe, slow to fast
	132-139	Open
	140-181	Slow fade out, fast on, speed increase with DMX value
	182-189	Open
	190-231	fast off, slow fade in, speed increase with DMX value
	232-239	Open
	240-247	Random Strobe
	248-255	Open
Channel 8	000-255	LED dimmer 0-100%
Channel 9	000-255	Scanner Motor speed, fast to slow
Channel 10	000-069	No Function
	070-079	Fast black out, fast open when Pan moves

	080-089	Disable black out when Pan moves
	090-119	Fast black out, fast open, gobo change when pan move
	120-129	Gobo change when Pan stops
	130-199	No Function
	200-209	Reset
	210-239	No Function
	240-255	Sound Activation

## Troubleshooting

No power (mains)	Check mains voltage is correct and outlet is switched on
	Check IEC lead and fuse (if fuse continually blows, refer back to your dealer)
No LED display	Press any control panel button and check LED setting in menu
No light output	Check control panel mode settings (standby, slave, sensitivity, DMX)
	Check DMX settings from controller (dimmer levels, blackout etc.)
No strobe output	Check strobe settings on control panel or from DMX controller
	Check Mic sensitivity is not set to minimum
Unresponsive to DMX	Check that unit is in DMX mode and ensure DMX address remains lit to confirm receiving DMX signal
	Check DMX controller is not set to black out
	Check DMX controller is on correct fixture/page
	Check master dimmer value
	Check correct DMX address is set
Overheating/ cutting out	Check DMX connection and leads
	Ensure that the unit is not too close to a heat source



This product is classed as Electrical or Electronic equipment and should not be disposed with other household or commercial waste at the end of its useful life. The goods must be disposed of according to your local council guidelines.

*Errors and omissions excepted.  
Copyright© 2016 AVSL Group Ltd*