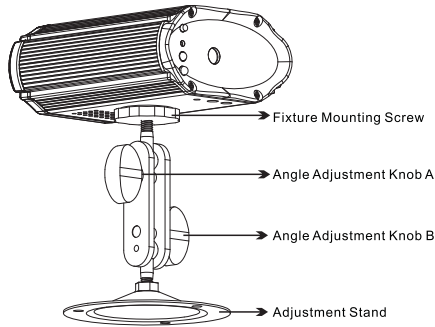


Fixture Mounting



Laser Emission Data

Laser Classification:	Class 3R
Red Laser Medium:	LD GaAlAs, 650nm
Green Laser Medium:	DPSS Nd:YVO4, 532nm
Beam Diameter:	<5mm at aperture
Pulse Data:	All Pulses < 4 Hz (>0.25 sec)
Divergence (each beam):	<2 mrad
Divergence (total light):	< 160 degrees
Laser Power:	> 130mW

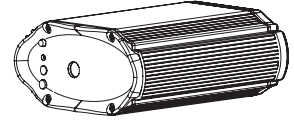
Technical Specification

Red Laser Diode:	100mW 650nm
Green Laser Diodes:	30-50mW 532nm
Fixture Power Supply:	DC12V / 600mA
External Power Supply:	100-240 VAC, 50/60 Hz
Work Environment:	10-40°C Indoor
Net Weight:	0.35 Kg
Fixture Measurement:	117 x 92 x 46 mm

User Manual

FEATURE

- 2 AUTO Shows
- 2 MUSIC Shows
- Multi Modes
- Variety of Effect
- Functional Remote



Unpacking Instructions

Immediately upon receiving a fixture, check the contents to ensure that all parts are present, and have been received in good condition. Notify the shipper immediately and retain packing material for inspection if any parts appear damaged from shipping.

Laser Safety Warning

Laser light is different from any other light source which you may be familiar. The light from this product can potentially cause eyes injury if not set up and used properly. Avoid direct eye contact with laser light. Never intentionally expose your eyes or others to direct laser radiation.

It is illegal and dangerous to shine this laser into audience areas, where the audience or other personnel could get direct laser beams or bright reflections into their eyes.

There are no user serviceable parts inside the unit. Do not open the housing or attempt any repairs yourself. In the unlikely event your unit may require service, please contact the dealer nearest to you.

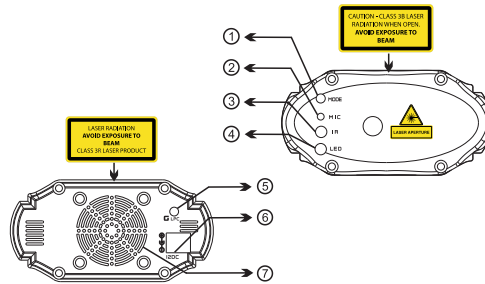
Laser Compliance Statement

This laser product complies with EN/IEC 60825-1 Ed 2,2007-03.

Proper Laser Set Up & Usage

International laser safety regulations require that lasers must be operated with a minimum of 3 meters (9.8 ft) of vertical separation between the floor and the lowest laser light vertically. Additionally, 2.5 meters of horizontal separation is required between laser light and audience or other public spaces.

Product Introduction & Operation

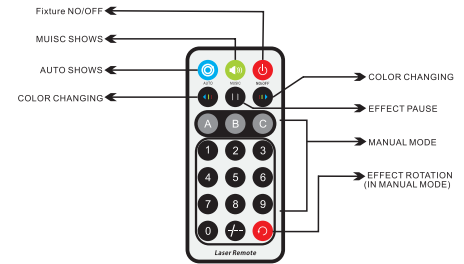


①	MODE (Cycle Through)	AUTO Emotion	LED is red
		AUTO Smooth	
		SOUND Activated	LED is blue
		SOUND Strobing	
Pressing for 2.5 second to turn off or on the fixture			
②	MIC	Microphone. Number "1-9" in REMOTE are for sound sensitivity setting. "1" is the least sensitive, "9" is the most sensitive.	
③	IR	Infrared Remote Receiver. Check Remote Instruction for details.	
④	LED	LED Indicator	
⑤	LPC	Green Laser Dimmer	
⑥	i2DC	DC12V Power Input	
⑦		Cooling Fan	

Power Supply

To determine the power requirements for a particular fixture, see the label affixed to the back plate of the fixture or refer to the fixture's specifications chart. Before applying power to a fixture, check that the source voltage matches the fixture's requirement.

Remote Instruction



FIXTURE NO/OFF	To turn NO or OFF the fixture	
MUSIC SHOWS	SOUND Activated	LED is blue. Number "1-9" is for sound sensitivity setting. "1" is the least sensitive, "9" is the most sensitive.
	SOUND Strobing	
AUTO SHOWS	AUTO Emotion	LED is red.
	AUTO Smooth	
COLOR CHANGING	Cycle through Programmed Color, Red & Green, Green, Red. (for AUTO Emotion, AUTO Smooth & SOUND Activated only)	
MANUAL MODE	A: Red Strobing	"1-8" is strobing from fast to slow "9" is on, "0" is off
	B: Green Strobing	"1-8" is strobing from fast to slow "9" is on, "0" is off
	C: Effect Speed	"1-9" is speed from slow to fast "0" is not moving "0" is effect rotating direction