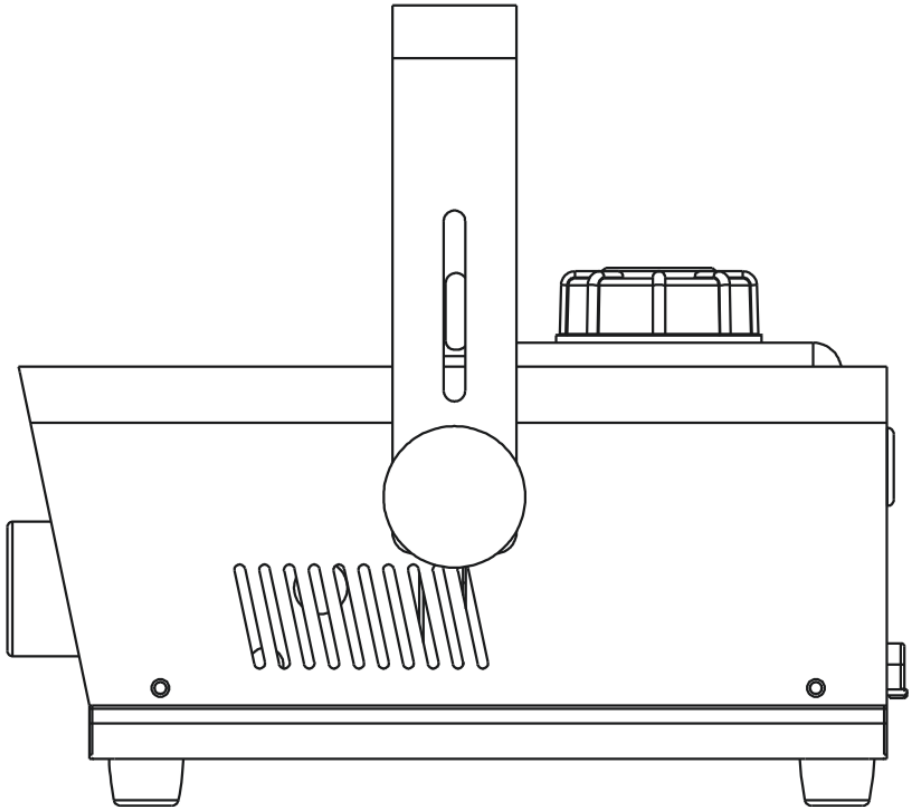


QTFX-900

Fog Machine

Item ref: 160.476UK

User Manual



Please read through this manual thoroughly before use, any damage
Caused by misuse of product will not be covered by warranty.

Introduction

Thank you for choosing the QTFX-900 as part of your stage effects system. This machine is designed to provide generous fog output and reliable service for medium sized venues. Please read these instructions fully to achieve the best results and avoid damage through misuse.

Unpacking

Your QTFX-900 should reach you in good condition and should be supplied with IEC mains lead(s), mounting bracket, wireless controller with remote and wired handheld remote. If there are any signs of damage or items missing from the packaging, contact your dealer immediately.

Warning

To prevent risk of fire or electric shock, do not expose electrical parts to rain or moisture. If liquids are spilled on the housing or through the vents, disconnect the mains, allow the QTFX-900 to dry out and have it checked by qualified personnel before further use. Avoid any impact, dropping or extreme pressure to the housing. No user serviceable parts inside - do not open the case. Allow the QTFX-900 to acclimatize to room temperature before operating. Refer all servicing to qualified service personnel.

Placement

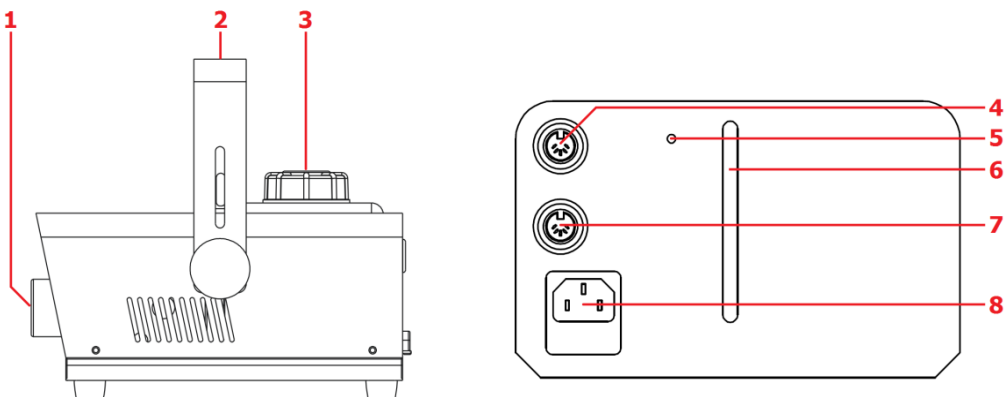
The QTFX-900 has a built-in fluid tank and should be operated in an upright position. If free-standing, ensure that the QTFX-900 is positioned on a stable, non-slip surface. If mounted at height, use the integral bracket and it is advisable to add a safety cable.

Safety

- Check for correct voltage and condition of IEC lead before connecting to power outlet.
- Check the condition of the remote lead and ensure that it is not trapped.
- This unit must be earthed.
- This unit uses a heating element - do not touch the nozzle area whilst in use!

Cleaning

- Use a soft dry or slightly damp to clean the casing.
- Do not use strong solvents for cleaning the unit.
- It is recommended to use fog machine cleaning fluid (160.670UK) periodically.



Layout and connections

- | | |
|------------------------------------|----------------------------------|
| 1. Fog output nozzle | 5. Fluid low warning LED |
| 2. Mounting bracket | 6. Fluid level indicator |
| 3. Fog fluid tank | 7. RF remote control connection |
| 4. Wired remote control connection | 8. Mains inlet IEC & fuse holder |

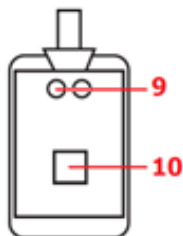
Setting up and operation

The QTFX-900 requires fog fluid to produce the effect.

It is recommended to use one of the range of qtx fog fluids for best results.

- Unscrew the top cap of the tank and remove to fill with the selected fog fluid.
- Replace the cap and close securely, ensuring the pipe is fed down to the bottom of the bottle so a consistent flow of fluid is supplied to the machine.
- Select either wired or RF remote control and connect to the appropriate socket (4, 7).
- Connect the IEC mains plug.
- Check the fog fluid level indicator at the rear and fill if necessary.
- Switch the mains power on.
- Heat up time is approximately 3-6 minutes. Please ensure that the remote button is not pressed during the heat up time.
- If fluid level is empty, the heater will shut down and the Fluid Low LED will light.
- Switch off when not in use.
- Unplug from mains if not in use for long periods.

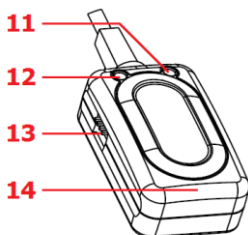
Wired remote control



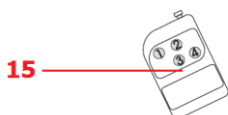
- 9. Ready to fog indicators
- 10. Fog button

- When the machine is ready to operate, the lights on the remote control will illuminate. You may now press the button for 15 seconds of fog on demand.
- When the remote-control light is off, the QTFX-900 needs time to re-heat. Do not attempt to produce fog until the light is lit.

RF remote control



- 11. Heating LED
- 12. Ready LED
- 13. DIP switches
- 14. RF remote receiver
- 15. RF remote transmitter



- There is a group of 4 DIP switches on the side of the RF controller to select the group. Use only 1 switch at a time on any machine – more than 1 machine can be in a group.

DIP switch 1 ON (2, 3, 4 OFF)= group 1

DIP switch 2 ON (1, 3, 4 OFF)= group 2

DIP switch 3 ON (1, 2, 4 OFF)= group 3

DIP switch 4 ON (1, 2, 3 OFF)= group 4

The provided wireless fob transmitter has 4 buttons to actuate any of the groups.

- Heat up time is approximately 3-6 minutes. Please ensure that the remote button is not pressed during the heat up time.
- When the machine is ready to operate, the "Ready" LED will light on the RF receiver. You may now press the relevant group button for 15 seconds of fog on demand.
- When the "Heating" LED is lit, the QTFX-900 needs time to re-heat. Do not attempt to produce fog until the light is lit.

Specifications

Power supply	230Vac, 50Hz (IEC)
Power	900W
Reheat time	4 min (approx.)
Fog output (approx.)	10,000 Cu Ft (283m ³) / min
Tank capacity	1.3l
Remote control frequency	433MHz
Dimensions	235 x 180 x 111mm
Weight	4.05kg

Troubleshooting

Warning: Hot components! ... Switch off and allow to cool before touching the unit.

No light on mains switch	Check mains voltage is correct and socket is switched on
	Check IEC lead is OK and connected properly
	Check mains fuse and fuse in plug top
	If fuse blowing repeatedly, refer to qualified service personnel
Wired remote light not lighting	Check remote is connected properly
	If light is permanently off, refer to qualified service personnel
No LEDs lit on RF receiver	Check remote is connected properly
	If LEDs permanently off, refer to qualified service personnel
No RF control	Check correct DIP switch setting
	Check transmitter battery
Remote light is on but no fog output	Check fog fluid level (Fluid Low indicator)
	If fluid is OK and pump working, the lines may be blocked
	Check that nozzle is not blocked or obstructed
	If blocked, clean with fog machine cleaner & distilled water



This product is classed as Electrical or Electronic equipment and should not be disposed with other household or commercial waste at the end of its useful life.
The goods must be disposed of according to your local council guidelines.

Errors and omissions excepted.

Copyright© 2022 AVSL Group Ltd, Unit 2 Bridgewater Park,
Taylor Road, Trafford Park, Manchester. M41 7JQ.

AVSL (Europe) Ltd, Unit 3D North Point House,
North Point Bus. Park, New Mallow Road, Cork, Ireland.