

Step3: Install TV

According hole's location at the back of TV to choose relevant hole on the panel.(have chosen on first step), please pay attention to that hole chosen must be equalization, using bolt and washer to install panel on TV (fig 4,5) Firstly put up the TV with an assistant in fitting position on the wall,making the trough on the panel fit to the wall button,then according trough to embed the LCD into the wall button. AS shown in Fig6.

Carefully: Don't force the bolt to LCD hole, avoiding damage to people and instrument .Don't use electronics drill to fasten screw.

Caution : This Product LCD /Plasma Wall Mount Bracket is intended for use only with the maximum weights indicated .See apparatus instructions .Use with products heavier than the maximum weights indicated may result in instability causing possible injury .

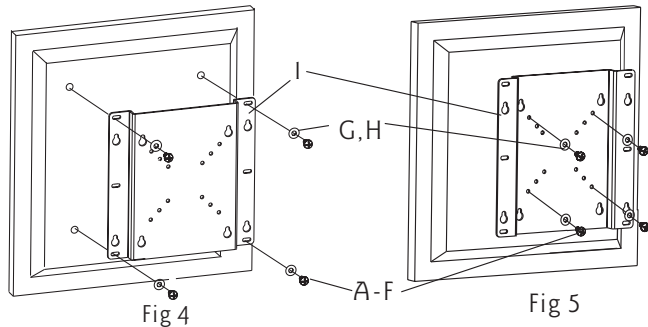


Fig 4

Fig 5

Thank you for choosing our products

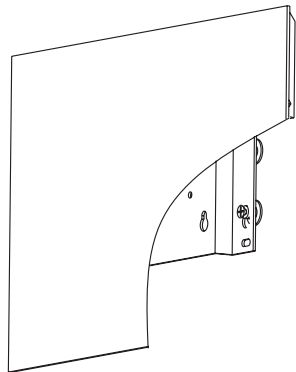


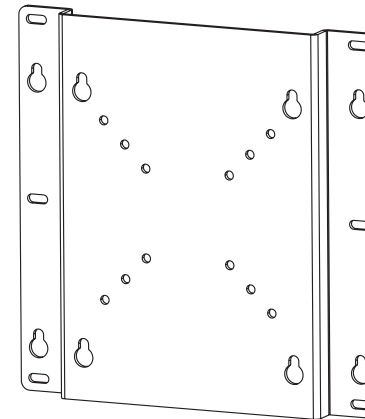
Fig 6



Flat unadjustable wall mount

INSTALLATION GUIDE

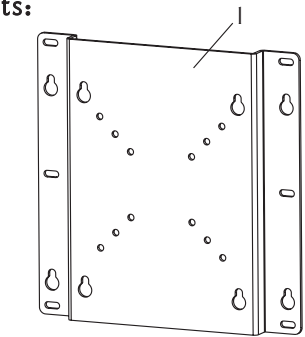
Item No.: I 29. I 18



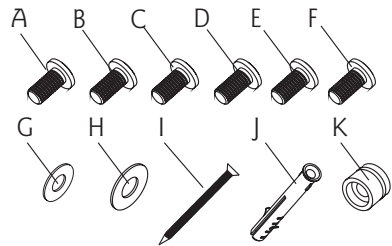
- TV Size Rang: 10" -37"
- According VESA standard to design
- Distance to the wall is only 25mm
- Max load capacity: 25Kg/55lbs

Important: If don't understand about right install ways, please consult to normal installing specialist.

Parts:



NO	Qty	Name
I	1	TV Plate
A	4	M4 12mm bolt
B	4	M4 16mm bolt
C	4	M5 12mm bolt
D	4	M5 16mm bolt
E	4	M6 12mm bolt
F	4	M6 16mm bolt
G	8	M5 washer
H	4	M6 washer
I	4	Long bolt
J	4	Wall anchor
K	4	Wall Button



Step1 : Choose your installing location on the TV panel.

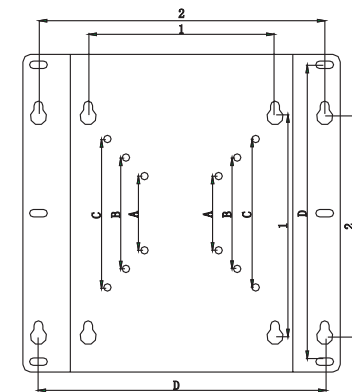
This product has two kinds of installing location, which is positive and negative. According wall to choose installing location rationally for display. Considering display with varied "VESA" standard connects with stand directly. This product establishes four kinds of installing styles which is according with "VESA" standard.

- A-VESA 50(50mmx50mm)
- B-VESA 75(75mmx75mm)
- C-VESA 100(100mmx100mm)
- D-VESA 200(200mmx200mm)

If the installing hole of your display is not "VESA" standard, this stand offers installing location,if still can't satisfy, you need an optional carrying instrument to attach the display to the stand. If need carrying instrument, please contact with your dealer.

When choose location of A,B,C,D, E,F choosing hole's location same as 2 in Fig1 when installing hole on the wall, or choose hole location of I.

Fig 1



Step2: Install wall mount

Installing ways of batten wall

Using an electronic stake detector in the mount location, which is in center of stake. Making mark in the center of stake on the wall. Lay the TV panel on installing location flatly, using for templet, marking hole in the center of stake where TV panel has been chosen. Using 2mm aiguille to drill 4 holes of 30mm depth. Install wall button (K) carefully by using provided long bolt and M5 washer.

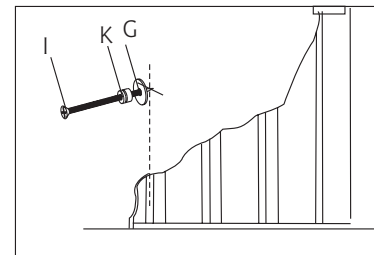


Fig2

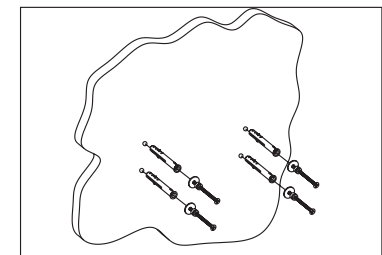


Fig3

Install ways of cement and beton

Lay the wall mount on the installing location, using for templet, marking hole location on the wall where TV panel has chosen. Using 8mm aiguille to drill hole of 40mm depth, embedding the Wall anchor cover into hole, and strike to wall slightly. Install wall Plate carefully by using provided Long bolt and washer. (Fig3)

Careful: Wall anchor cover just for wall of cement and beton. Don't use Wall anchor cover on dry floppy wall for installing stand.