

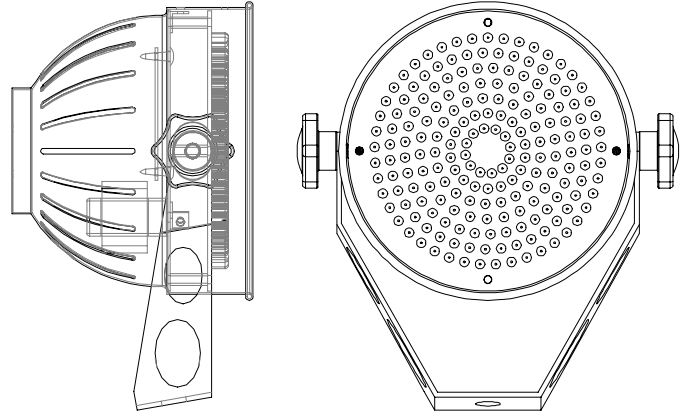
# SRL-6005LED Par Can

## User Manual

### Features

- \* 7 DMX channels for 7 circles of LED bulbs
- \* Master/Slave
- \* Controlled by DMX controller or SDL-075

LED Par controller



### Specifications

Power: AC 120V 60Hz or 240V/50Hz

Fuse: 1A 125V

Watt: 50W

Dimension: mm

Weight: 2.8Kg

### Operation

#### In DMX mode

This LED Par Can is a 7 channels unit. Each channel controls each circle of LED bulbs. To run the unit in DMX mode, connect the Par Can with one DMX controller using 3-pin XLR DMX cable.

##### 1. DMX setting

Start channel	Dipswitch (ON)	Start channel	Dipswitch (ON)
1	1	11	1,2,4
2	2	12	3,4
3	1,2	13	1,3,4
4	3	14	2,3,4
5	1,3	15	1,2,3,4
6	2,3	:	:
7	1,2,3	:	:
8	4	:	:
9	1,4	511	1,2,3,4,5,6,7,8,9
10	2,4	512	10

For example, there are 3pcs of LED Par Can linked with the DMX controller (or LED Par Can controller). The first Par Can starts from channel 1, the second one from channel 8 and the third one from channel 15. You should turn the dip switch 1 of the first Par Can to ON, dip switch 4 to ON, dip switch 1,2,3,4 of the third to ON.....

## **In Master/Slave mode**

Link your Par Can with DMX cable and set the address of master to 0. All the slaves are set to address 1.

## **Replacing fuse**

Disconnect from main power supply and take out the blown fuse from fuse holder on the back of the Par Can, then replace the correct rating fuse.

Specifications

Power: AC 120V 60Hz or 230V 50Hz

Fuse: 1A 125V

Dimension:

Weight: