


HAZER-FX900

Smoke Machine User Manual

160.454UK

Description	Fluid Colour	Results					Item Reference	Bottle Volume	For use with:	
		Dispersion	Density	Stability	Colour of Fog	Stability				
Bubble fluid										
Bubble fluid		Lightweight bubbles that last longer	1 Litre	160.574UK	Suitable for use with	All makers of bubble machines: QTX LIGHT FX machines: 160.562UK 160.573UK 160.571UK 160.570UK	5 Litre	160.576UK		
			1 Litre	160.575UK						
UV bubble fluid		Lightweight bubbles that glow when under UV	1 Litre	160.576UK			5 Litre	160.577UK		
Snow Fluid										
Description	Snow Fluid	High quality snow lasts 30% longer than other standard fluids	1 Litre	160.578UK	Suitable for use with:	QTX LIGHT FX Snow machine 160.568UK and all other makers of snow machines	5 Litre	160.579UK		
Description	Fluid Colour	Standard smoke fluid	Yellow	Quick	Light	Low	White	1 Litre	160.643UK	For use with:
			5 Litre	160.582UK						
	High grade smoke fluid	Orange	Slow	Medium	Good	White	1 Litre	160.587UK		
	5 Litre	160.588UK								
	High quality smoke fluid	Pink	Slow	High	Good	Deep white	1 Litre	160.644UK		
	5 Litre	160.583UK								
	Premium smoke fluid	Clear	Slow	V. High	V. Good	V. deep white	5 Litre	160.589UK		
	5 Litre	160.589UK								
	Smoke machine cleaner	Clear	Longer life from your smoke machine	20ml	160.670UK	All smoke machines				
	Haze									
Description	Fluid Colour	High quality haze fluid	Clear	Slow	High	Good	Deep white	1 Litre	160.590UK	For use with:
			5 Litre	160.591UK						

Hazer FX-900 Haze Machine – For indoor use only



Caution! Please read this manual carefully before operating! Damage caused by misuse is not covered by the warranty!

1. General Introduction :

This haze machine produces a fine mist compared to regular smoke machines enhancing light effects without producing a thick cloud of smoke. With the recent smoking ban in place in the UK, some venues have banned the use of intrusive conventional smoke machines, making this hazer the perfect alternative. The unit features MIRROR™ piping patent technology to reduce the rate of jamming and a special microcomputer temperature control system to preserve a high temperature for a longer time. It also comes with a timer output control and built-in 1 channel DMX, making it suitable for a wide variety of applications such as nightclubs, laser shows, mobile DJs and theatres

Features :

- 10,000 Cu Ft (283m³) per minute
- Anti - jamming pipe technology
- Intelligent microcomputer keeps the temperature high
- Illuminated tank to show when the machine is ready
- Removable tank for easy maintenance
- 1 Channel DMX
- Supplied with timer remote control

14. Technical specification :

Power supply	230Vac, 50Hz
Fuse	F5A
Power	900W
Re-heat time	4 min (approx)
Smoke Output	10,000 Cu Ft (283m³) per minute
Tank capacity	1.2 Litres
Dimensions	220 x 205 x 490mm
Weight	7.1kg

15. Disposal :

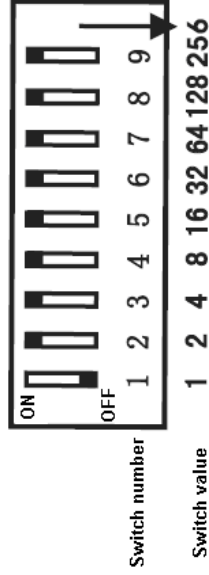


Please disposal of the unserviceable device according to the current statutory requirements.

13. DMX controlling:

DMX channel	DMX Scale	Detail function
CH 1	000 - 005	0% Output
	006 - 255	5% - 100% Output

Dip Switch addressing



To set the DMX address please see the example table below and for more details visit the QTX website www.qtxlight.com

(Note: 1 = On, 0 = Off)

DMX Address	DIP Switches										
	1	2	4	8	16	32	64	128	256		
1	1	0	0	0	0	0	0	0	0		
2	0	1	0	0	0	0	0	0	0		
3	1	1	0	0	0	0	0	0	0		
...		
410	0	1	0	1	1	0	0	1	1		

2. Package Contents :

Please check the contents to ensure that the product has been received in good condition.

Hazer FX-900 Haze Machine x 1pcs	User's Guide x 1pcs
Power Cord x 1pcs	Remote control x 1pcs

If you find any accessory is missing or the machine has arrived with any problems, please contact your local dealer at once. Do not try to fix this item yourself or you will lose the warranty. Please keep the original package and invoice for any possible replacement or returned demand.

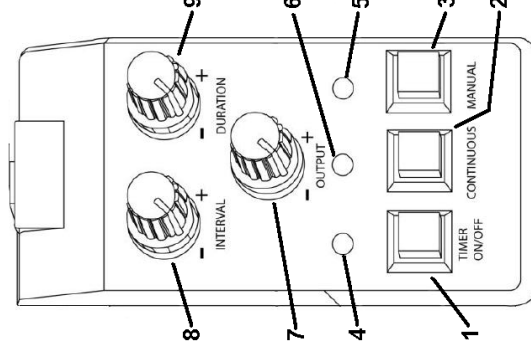
3. Recommended Fluid:

For the Hazer-FX900 haze machine we strongly recommend the following fluids which have been specifically formulated to perform best in any smoke machines with a power rating up to 900W

QTX Ref Code	Description	Size	Results
160.590UK	High quality	1 Litre	High quality
160.591UK	professional Haze fluid	5 Litre	ultra fine mist

4. Setup :

1. Unpack the fog machine
2. Unscrew the top cap of the tank and remove to fill with the recommended smoke fluid
3. Replace the bottle and screw the cap securely ensuring the pipe is fed down to the bottom of the bottle so a consistent flow of fluid is supplied to the machine
4. Connect the remote control
5. Connect the IEC mains plug and power up
6. Heat up time is usually between 3-6 minutes. Please ensure no button is pressed during the heat up time. When the machine is ready the LED light on the remote control will illuminate
7. Press the button on the remote control for 5 seconds so the fluid has a chance to flow through the heater block making it ready to use..
8. After this you will be able to use the smoke machine. It is recommended to produce smoke with small pauses in between so that the temperature is maintained and the thermostat doesn't switch off.

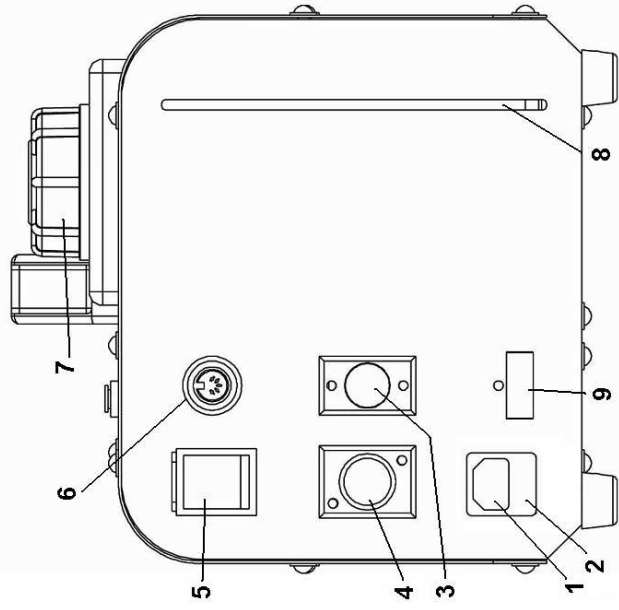
12. Timer controller:

- 1) Timer on/off button
- 2) Continuous output
- 3) Manual override button
- 4) Timer LED indicator (Illuminated when timer active)
- 5) Manual ready indicator
- 6) Continuous LED indicator (Illuminated when continuous active)
- 7) Adjust the amount of Haze / Smoke is released (between 0 – 100%)

NOTE: The below controls are only used when in timer mode

- 8) Adjust the interval gap between each release of Haze / Smoke (between 0 – 30 Min approximately)
- 9) Adjust the duration the Haze / Smoke is released at each interval (between 0 – 15 seconds approximately)

11. Rear Layout:



- 1) IEC Power socket
- 2) Fuse holder
- 3) DMX IN
- 4) DMX Out
- 5) Power switch On/Off
- 6) Remote control
- 7) Fluid tank
- 8) Fluid level
- 9) DMX Address

5. Mounting instruction :

The fixture may be mounted in any position provided there is adequate room for ventilation and the fluid can not leak.

It is important never to obstruct the front of the machine, fan or vents pathway. Mount the fixture using a clamp.

Adjust angle of the fixture loosening both knobs and tilting the fixture. After finding desired position, re-tighten both knobs.

When selecting installation location, take into consideration refilling the tank and routine maintenance. Safety cables must always be used.

Never mount in places where the fixture will be exposed to rain, high humidity, extreme temperatures changes or restricted ventilation.

6. Caution! To prevent Mortal Electrical Risk and Long Life Operation :


For your safety, please kindly pay attention to all of the warnings listed below:

- Always plug in the power plug last and disconnect from the mains when the device is not in use or before cleaning.
- Do not install and operate the device in rain or extreme heat, moisture or dusty environments.
- This device is for indoor use only and in a dry environment.
- Do not switch on immediately but wait until it reaches to room temperature if the device has been exposed to drastic temperature fluctuations.
- Do not shake the device and avoid brute force when installing or operating
- Do not use the device during thunderstorms and please disconnect the power.

- Do not use solvents or aggressive detergent to clean the device. Use a soft and clean cloth.
- Do not modify the device or the connected power cord without authorization.
- Use appropriate safety-rope for safety.
- Clean the machine regularly using water or smoke cleaning fluid (160.670)

7. Connect with power supply - The ground wire must be connected :

Use the plug to connect to the main power supply as following.

Wire	Connection	International signal
Brown	Live	L
Blue	Neutral	N
Yellow /Green	Earth	

8. Quick Trouble Shooting :

If the unit is not functioning properly

- 8.1 Check if main power is on and fuse hasn't blown
- 8.2 The remote control is plugged in correctly in to the socket
- 8.3 Check there is fluid in the tank
- 8.4 Check that the pipe is pushed down to the bottom of the tank
- 8.5 Check the correct fluid has been used.
- 8.6 If there is a block use distilled water or smoke machine cleaning fluid.



9. Replacing Fuse :

Disconnect from the main power supply first, then remove the fuse holder above the IEC Socket to reveal the fuse. Replace the correct fuse rating as stated on lighting or user guide. Then, lock the fuse holder cover back into place.

10. General Maintenance :

To maintain optimum performance and minimize wear, the item should be cleaned frequently. Usage and environment are contributing factors in determining frequency. As a general rule, fixtures should be cleaned after use to avoid dust build-up and blockages. Which can result in poor performances, overheating and breakages. Be sure to power off fixture before conducting maintenance.

Unplug fixture from power. Use a vacuum or air compressor and a soft brush to remove dust collected on external vents and internal components. Clean the external case when the fixture is cold with a dry cloth or tissue, and drag dirt and grime to the outside case.

To ensure a continuing high performance it is recommended to use water or smoke cleaning fluid (160.670) to clean the internal workings. Simply empty the tank of any smoke fluid. Fill with water or smoke cleaning fluid then operate two full cycles to clean the internal pipes this should be done once every 2 months to ensure continuing high performance

